

THE SELFSTANDING - POP UP - HIGH ROPE TRACK

MAKING OUR **GLOBE**
INTO ONE **BIG ATTRACTION**

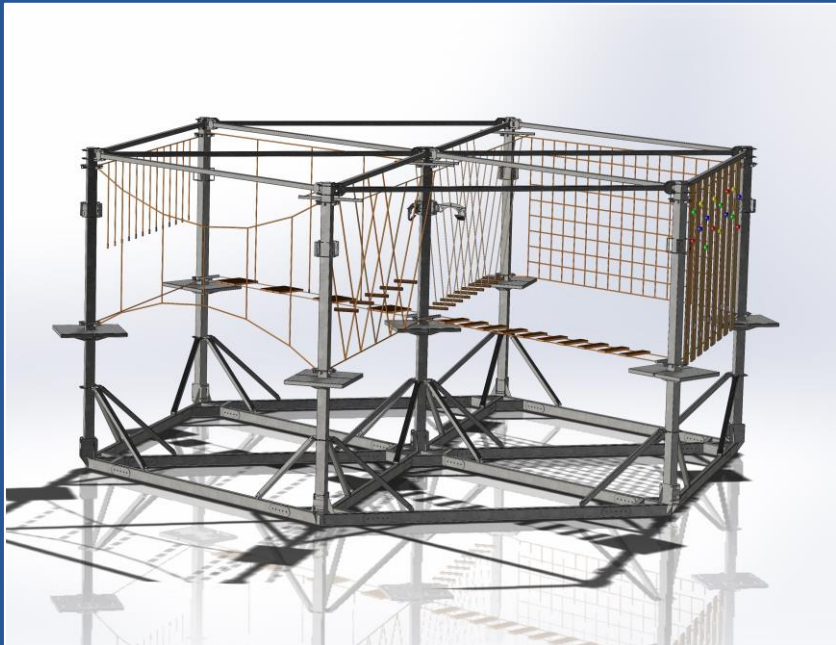
AP
&
PROJECTS

www.ap-projects.be

www.ap-projects.be

PROJECTS

Available in Kids version
 Available in Youngsters / Adult version
 Expandable in the Futur
 3 standard heights

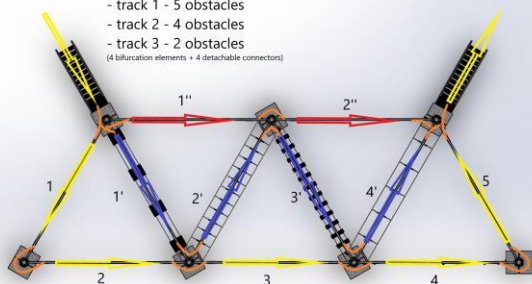


Proposition 4

3 tracks

- track 1 - 5 obstacles
- track 2 - 4 obstacles
- track 3 - 2 obstacles

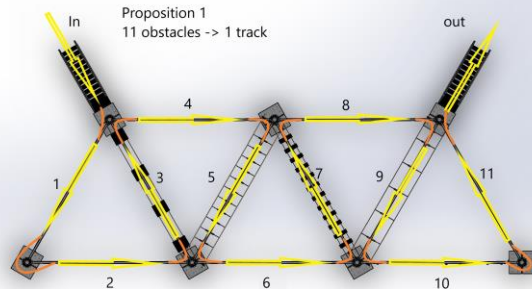
(4 bifurcation elements + 4 detachable connectors)



Price including 11 basic obstacles
 55790,75 € excl. Vat and export costs
 Transportation not included.

Proposition 1

11 obstacles -> 1 track



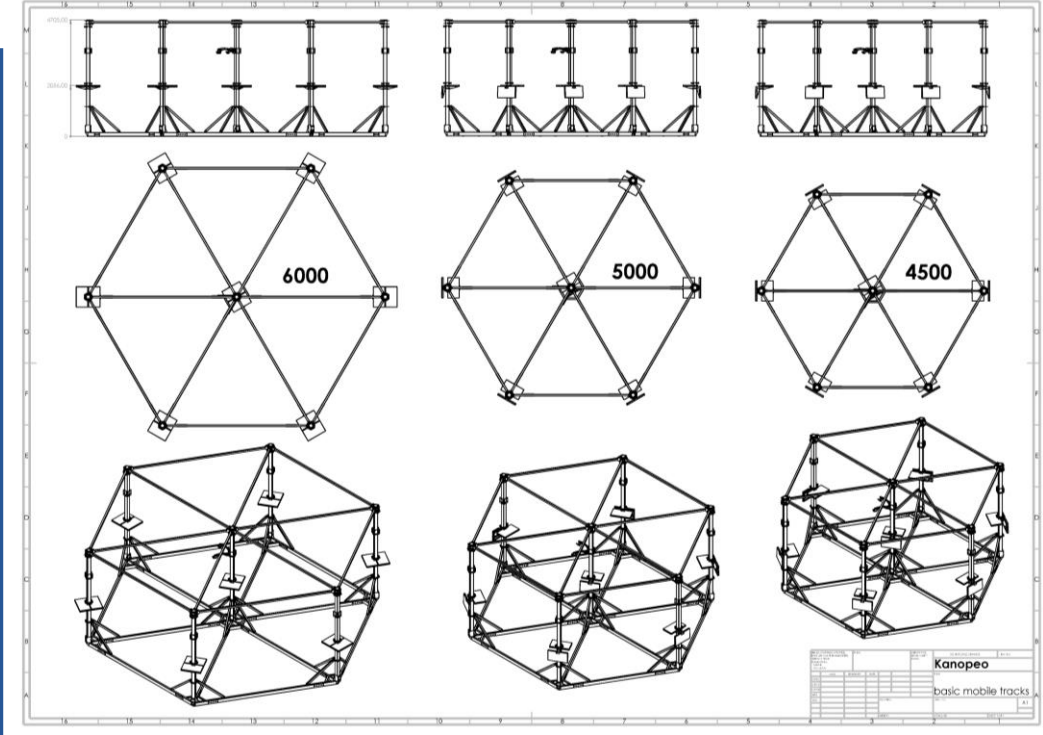
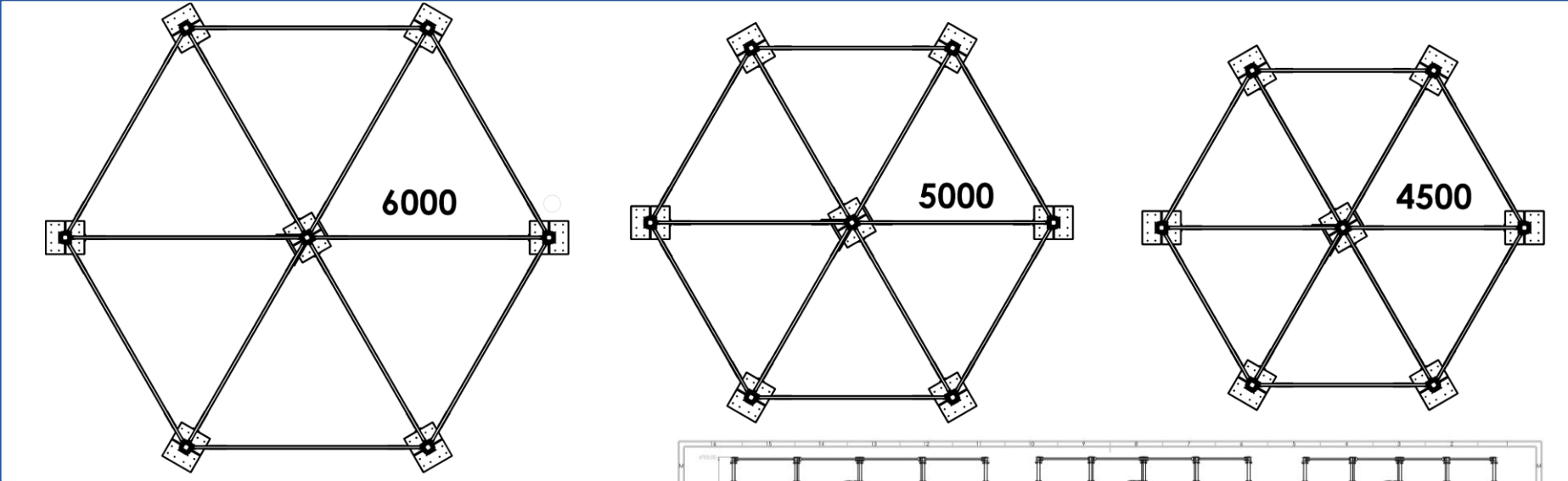
Price including 11 basic obstacles
 54050,75 € excl. Vat and export costs
 Transportation not included



www.ap-projects.be
 www.ap-projects.be

MAKING OUR GLOBE

INTO ONE BIG ATTRACTION



3 Standard lengths available
 3 standard heights available
 1 or 2 levels



MAKING OUR **GLOBE**
 INTO ONE **BIG ATTRACTION**

DETERMINATION OF CONTENT PRODUCT / STANDARD LENGTHS

General cost product

Maximum drukkracht $F = -6108N = -6.11 kN$ in E33
 Scharnierpunt $\phi_0 = 48.3mm$ $\phi_1 = 40.3mm$ $h = 122mm$

$$\sigma_0 = \frac{M_z}{A} = 51.2 MPa \quad OK$$

$$\sigma_0 = \frac{M_z}{\frac{4}{3} \left(\frac{\phi_0 - \phi_1}{\phi_0} \right)^2} = 89 MPa \quad OK$$

Plaatjes $t = 6mm$ $b = 60mm$ OK

$$\sigma_0 = \frac{M_z}{\frac{b \cdot (\phi_0^2 - \phi_1^2)}{12 \left(\frac{\phi_0 + \phi_1}{2} \right)}} = 23.1 MPa \quad OK$$

$L = 192m$
 $\Omega = \Omega_p = 10.95 cm^2$
 $I = I_y = 44.95 cm^4$
 $E = E_s = 210 GPa$
 $\sigma_p = 240 MPa$

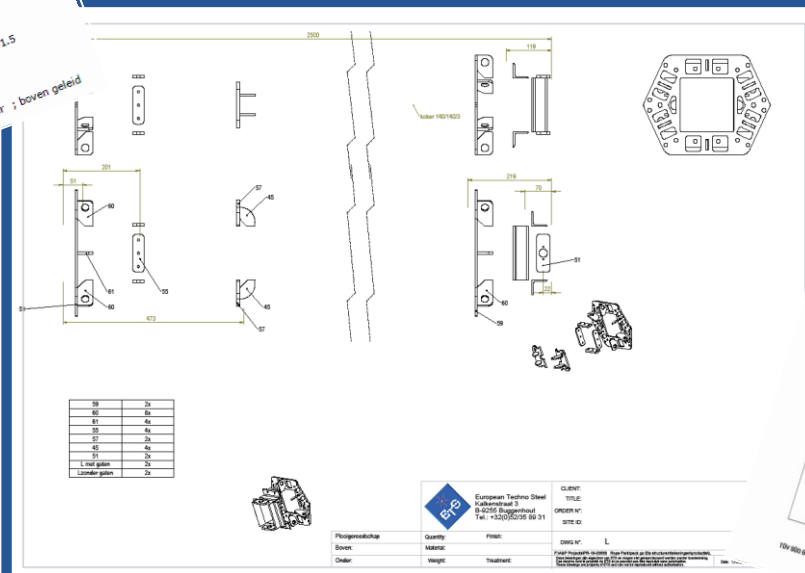
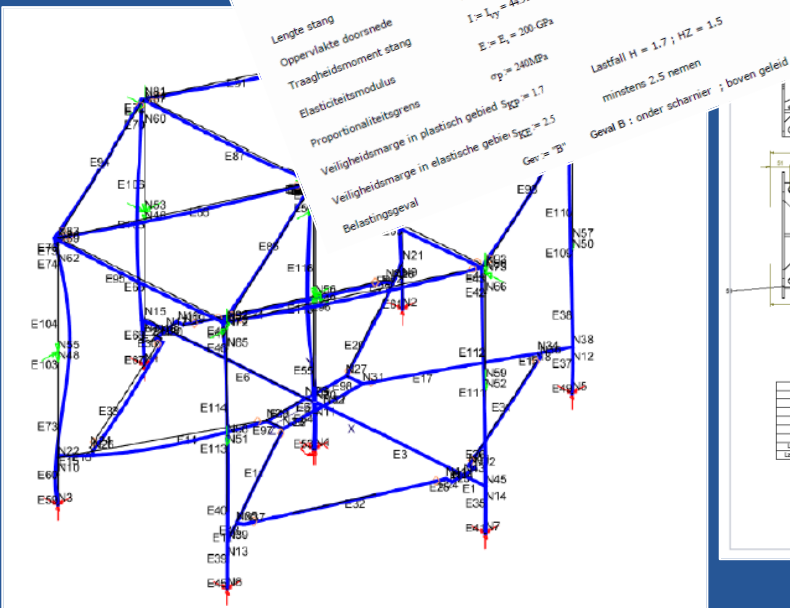
Study of stability per product
 Adapted Certification delivered product
 Production start – up cost
 Drawings

projects 1

projects 1

drawings to create a demand of: permission to construct. (if nessecary)

,- €



TUV SUD Member
 Leuvensesteenweg 310
 B-3190 Beersel
 Tel: +32 (0)15 50 90 30

2. Algemeen commentaar: **RAPPORT INSPECTIE TOUWPAARCOURS**
 P-NL-18-06-21032717-01

Het toezichtorgaan is bevestigd tegen ingevulde formulier gebruik d.m.v. de toezichtorgaan naar statuten.

1. Algemeen instructieboek met langere statuten in rug
 2. Instructieboekjes bij aanvang van elke toernee zijn
 3. Dag te voorzien

OPMERKINGEN

PRO	TA	TOE	PRO
1			3
2			3
3			3
4			3
5			3

De toezichtorgaan van TUV SUD alleen het verbruik van onderdelen en gereedschap. Toestel mag gebruikt worden indien het toestel voldoet aan de eisen van de toezichtorgaan. Toestel mag gebruikt worden indien het toestel voldoet aan de eisen van de toezichtorgaan.

De behouder van de installatie neemt de verantwoordelijkheid omtrent adequaat onderhoud en dit geboden wordt door de installatie. De toezichtorgaan wordt de ondergrond ondersteunen en de toezichtorgaan wordt de toezichtorgaan. De toezichtorgaan wordt de toezichtorgaan. De toezichtorgaan wordt de toezichtorgaan.

Evaluatie moeten mogelijk zijn binnen een aanvaardbaar tijdspanne. Dit dient uitgeroepen te worden door getuigen/overeenkomstig personeel.

Revisie opgesteld door: Verlenen Geelen
 Functie: Project Roper Courses
 Datum: 17/06/2019
 Handtekening:

Support opgesteld door: André De Bultel
 Functie: Project Roper Courses
 Datum: 17/06/2019
 Handtekening:

TUV SUD BEERS-04-006-001 Rev.0

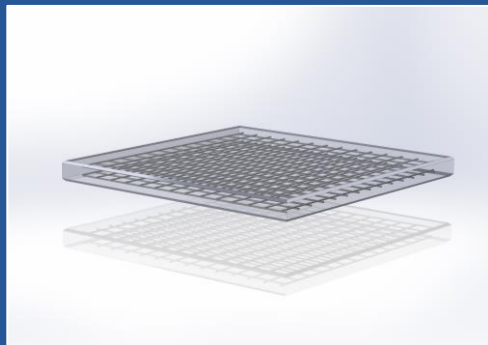
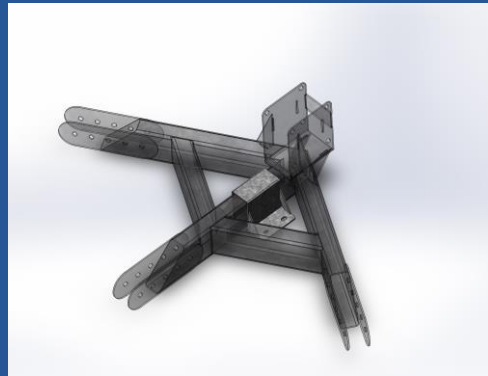
PAGINA 9 VAN 9



MAKING OUR GLOBE INTO ONE BIG ATTRACTION

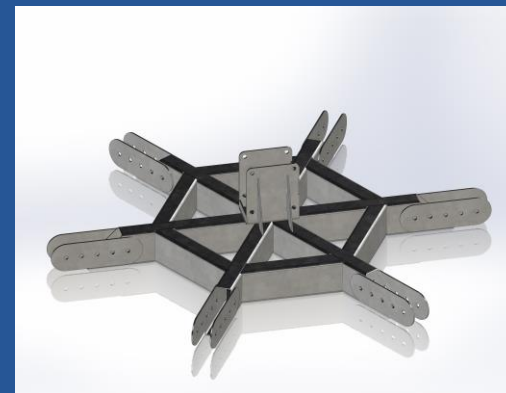
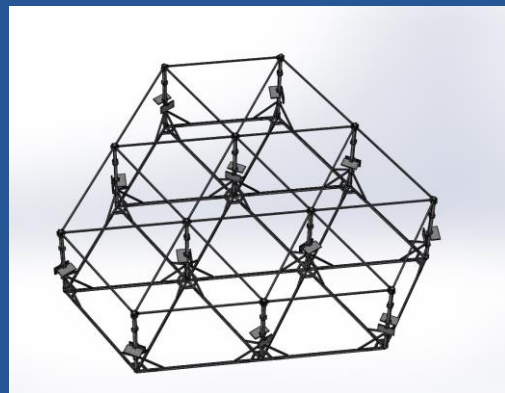
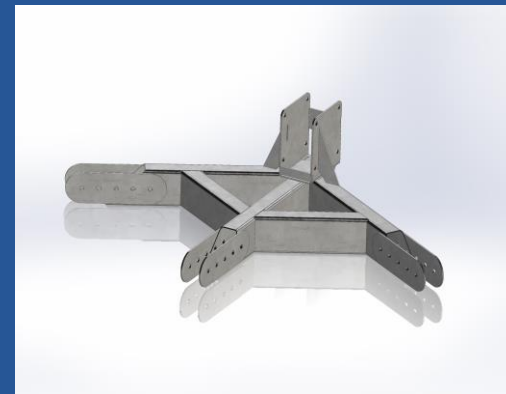
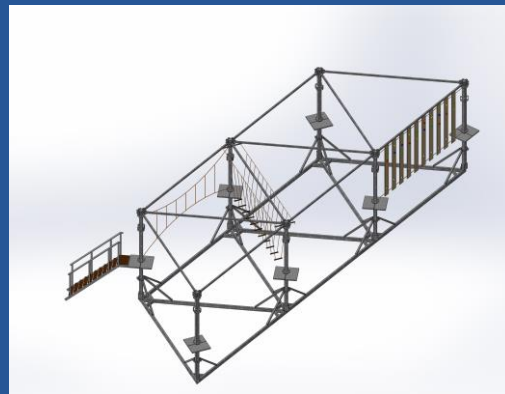
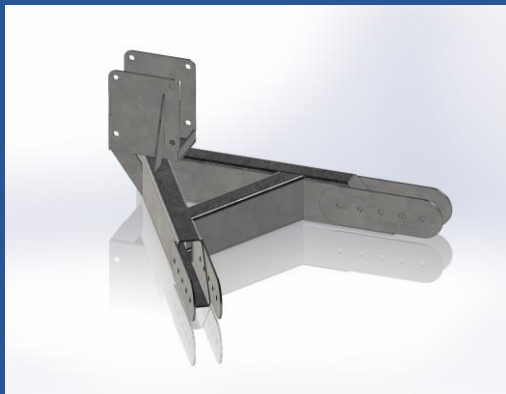
FOUNDATION STRUCTURE, IF NEEDED ON BEACHES, SAND, ETC....

foundations posts		# projects	1
	Concrete slab 2000 * 2000 * 160 20 ton		,- €
	Concrete slab 2000 * 2000 * 160 20 ton metal border		,- €
	Ancre chair to fix structure permanent		,- €



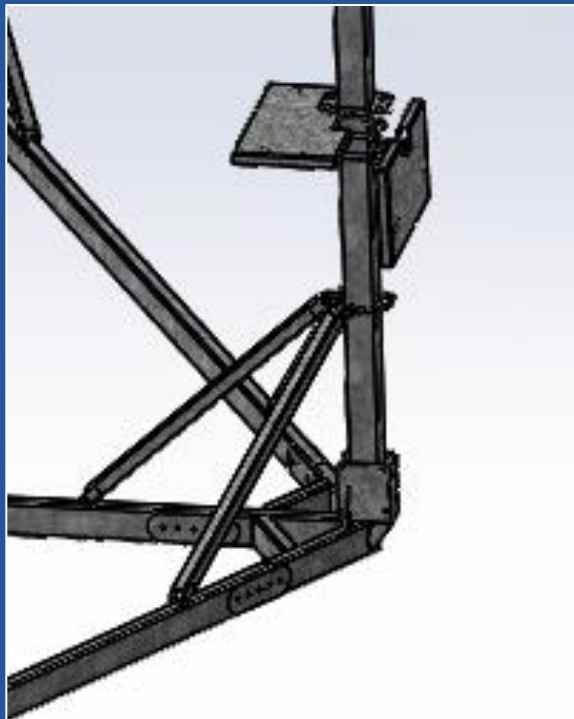
STRUCTURE CONNECTORS

		# projects	
galvanised standard connectors		1	
	2 way corner connector 60°		,- €
	3 way corner connector 120°		,- €
	4 way side connector 180°		,- €
	6 way central connector 360°		,- €



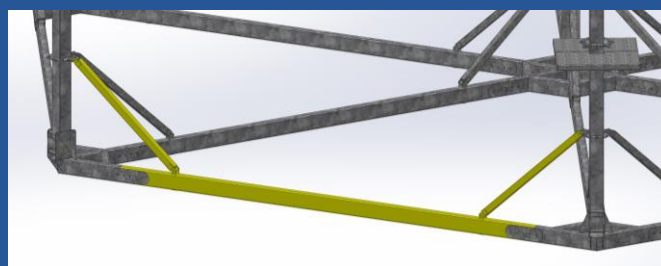
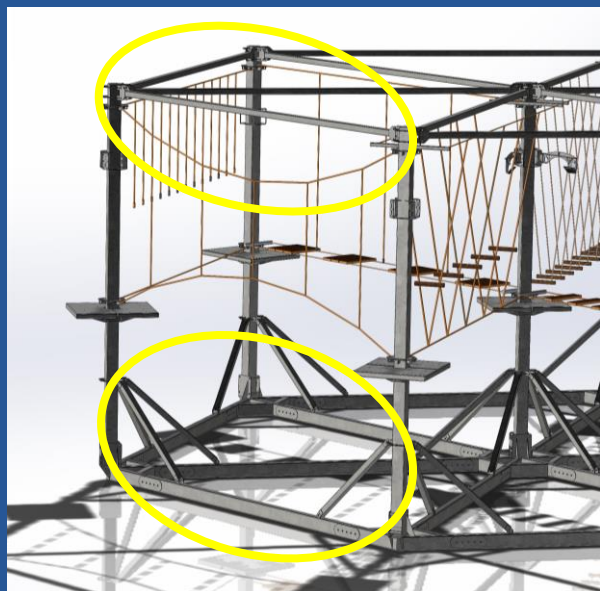
STRUCTURE POLES

galvanised square poles with connectors		# projects	1
	length 4500 mm for 1 platform on 2000 mm		-, - €
	length 5000 mm for 1 platform on 2500 mm		-, - €
	length 5500 mm for 1 platform on 3000 mm		-, - €
	length 6000 mm for 2 platforms, 1 st on 1200 mm 2 nd on 3500 mm		-, - €
	Platform 2 parts, pins & splitpins or bolts and nuts with plastic		-, - €



BOTTEM PUSH BARS AND TOP PULL BARS

Bottem push bar between connectors		# projects	1
2 diagonal bars included	Structure type 4500 mm		,- €
	Structure type 5000 mm		,- €
	Structure type 6000 mm		,- €
Top pull bars between posts			
	Structure type 4500 mm		,- €
	Structure type 5000 mm		,- €
	Structure type 6000 mm		,- €



AP
&
PROJECTS

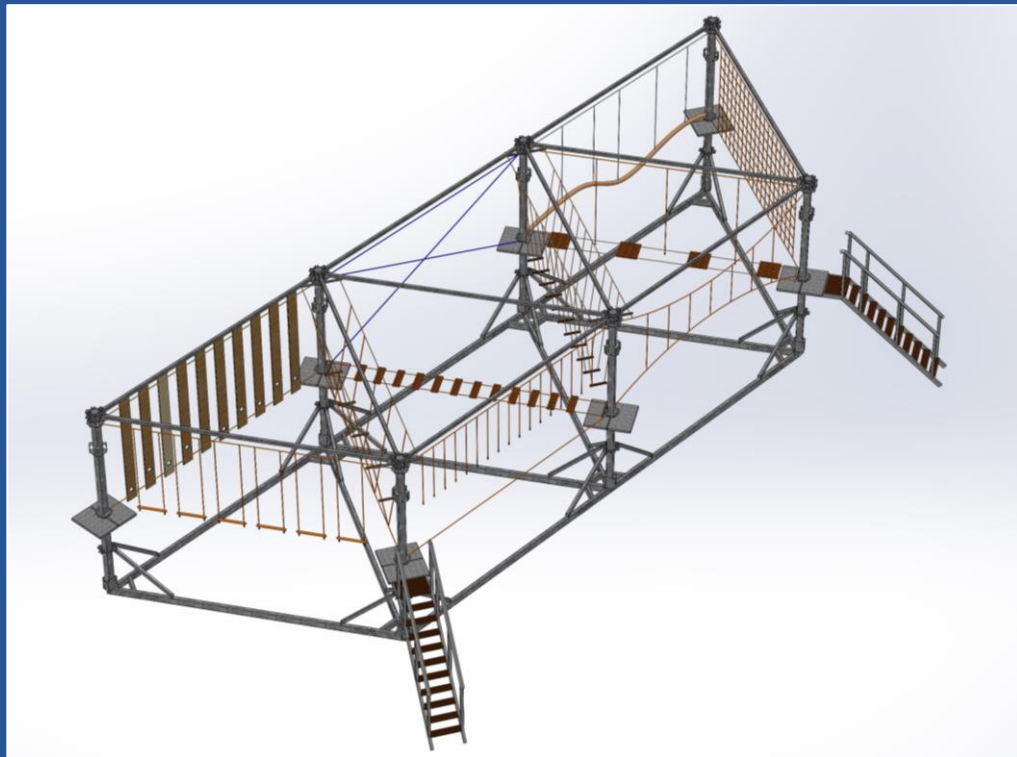
www.ap-projects.be
www.ap-projects.be

MAKING OUR **GLOBE**

INTO ONE **BIG ATTRACTION**

ACCES STAIRS PARTS

Acces stairs and hand rail incl CBS		# projects	1
	Stairs to 1 st level Poles 4500 mm		,- €
	Stairs to 1 st level Poles 5000 mm		,- €
	Stairs to 1 st level Poles 5500 mm		,- €
	Stairs to 1 st level Poles 6000 mm		,- €
	Stairs to 2 nd level Poles 6000 mm		,- €



OBSTACLES, PLAY ELEMENTS

obstacles		# projects	
	obstacle type 1		250,00 €
	obstacle type 2		350,00 €
	obstacle type 3		450,00 €
	obstacle type 4		550,00 €
	obstacle type 5		650,00 €
	obstacle type 6		750,00 €
	obstacle type 7		850,00 €
	obstacle type 8		950,00 €
	obstacle type 9		1 050,00 €
	obstacle type 10		1 250,00 €
	obstacle type 11		1 750,00 €
	obstacle type 12		2 500,00 €
	obstacle type 13		3 500,00 €
	obstacle type 14		4 500,00 €
	obstacle type 15		5 500,00 €
	obstacle type 16		6 500,00 €

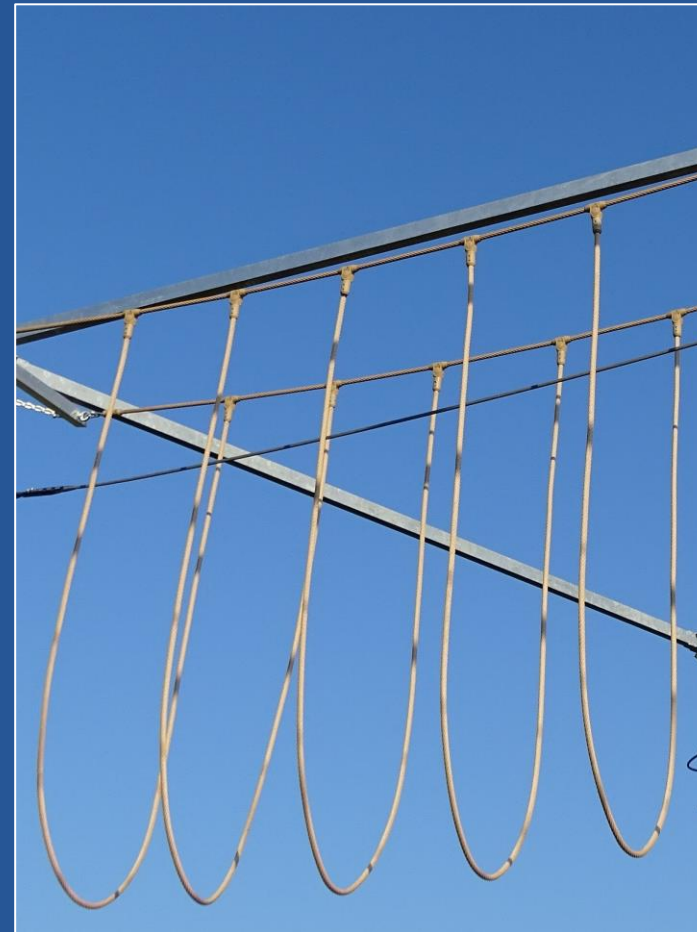
Content en prices: ask for file, prices obstacles



MAKING OUR **GLOBE**

INTO ONE **BIG ATTRACTION**

Accessories obstacles, Play elements included in type package, rope type and colors



MAKING OUR **GLOBE**
INTO ONE **BIG ATTRACTION**

Accessories obstacles, Play elements included in type package, net type and colors

4 stranded twisted:



PP - multi, Beige



PP - multi, Green



PP - multi, Blue



PP - multi, Yellow



PP - multi, Red



PP - multi, Black



CONTINUOUS BELAY SYSTEM SAFEROLLER PER OBSTACLE

Saferoller		# projects	1
	Saferoller life line parts per obstacle with multiclamparm or monoclamp		-, - €
	bifurcation		-, - €
	shark		-, - €

Saferoller		# projects	1
	Speedrunner life line per obstacle		-, - €
	bifurcation		-, - €
	Rapid link oval 10 mm		-, - €



A & PROJECTS

www.ap-projects.be
www.ap-projects.be

PROJECTS

MAKING OUR **GLOBE**

INTO ONE **BIG ATTRACTION**

STANDARD SAFEROLLER LIFE LINE PARTS ON AXESS STAIRS

Saferoller or speedrunner on acces stairs		# projects	
		1	
	PC poleclamp for saferoller		,- €
	Rock me bracket for speedrunner		,- €
	CP cable positionner		,- €
	BIF bifurcation for saferoller		,- €
	SP2 Bifurcation 2 for speedrunner		,- €
	AC Multiclamparm		,- €
	cable		,- €



TRANSPORTATION COST

Transportation		# projects	1
	delivery materials foundation		Depending destination
	delivery materials structure		Depending destination
	transportation materials site		Depending destination



PERSONAL SAFETY EQUIPMENT

		# projects	
personal safety equipment		1	
	Saferoller trolley with teflon rollers		-, - €
	Speedrunner kanhook		-, - €
	Hirope 2		-, - €
	SPS Lanyard		-, - €
	safety belt singingrock uni seks		-, - €
	pear link 10 mm		-, - €
	Helmet Rock K2		-, - €
	shipping		-, - €



**A
&
P**
PROJECTS

www.ap-projects.be
www.ap-projects.be

PROJECTS

MAKING OUR **GLOBE**

INTO ONE **BIG ATTRACTION**

MAKING OUR **GLOBE**
INTO ONE **BIG ATTRACTION**

Contact:
A&P Projects
Hertstraat 42 B
2590 Berlaar
Belgium

Paul Huybrechts
design@ap-projects.be

Phone: +32 15 761 561
Mobile: +32 475 761 561



www.ap-projects.be

www.ap-projects.be

PROJECTS



www.ap-projects.be

www.ap-projects.be

PROJECTS

MAKING OUR **GLOBE**
INTO ONE **BIG ATTRACTION**